

PRODUCT SHORT DESCRIPTION:

Innovative solution with sliding pen tray

FEATURES AND BENEFITS:

- Essential Topaz Series:
 - Good value for money for frequent use
- Unique repositionable sliding pen tray
- Smart anodized aluminium frame with contrasting profiles
- Available in three choices of surface:
 - Melamine
 - Lacquered steel
 - Enamel
- Wall fixings supplied
- Gridded solution also available in melamine or enamel surfaces, improving drawing and writing

PRODUCT IMAGE:



MARKETING COPY:

The new generation Maya boards add new functionalities and extra versatility to Bi-Office's line of presentation hardware. Keeping up with our customers' demands and creating value to the final user, our team created a new frame that opens new possibilities. The smart design and the user friendly adjustable pen tray make the products of this new line ideal to all business oriented spaces. Combining looks and functionality, Bi-Office's New Generation boards will fit and even enhance most decoration styles.

APPLICATION AND SALES PROPOSITION:

- Innovative design with sliding pen tray easily adapts to the user's needs
- Very nice looking board to business oriented spaces
- Grid remains visible without hampering the presentation content

TARGET MARKET:

CHANNEL: Office products wholesalers, office products stores, other retailers and building contractors

END USERS: conference centers, hotels, public buildings, public store buildings and private and public buildings in general

ADDITIONAL NOTES:

Other information supports: our official websites, Youtube®, Facebook®, catalogue and online catalogue, demo videos and more.

PROMOTIONAL TIPS:

No specific timing, thus we recommend the occasional promotion like offering of accessories.

RANGING TABLE:

| Frame/Colour: | Surface/Colour: | Product Size: | Packed mm | N.W. kg | G.W. kg | Reference: | RRP: |
|-------------------------------|-----------------|---------------|--------------|---------|---------|------------|------|
| ESSENTIAL TOPAZ SERIES | | | | | | | |
| Aluminium | Enamel | 600x450 | 720x470x22 | 1,89 | 2,45 | CR0401830 | --- |
| Aluminium | Enamel | 900x600 | 1030x620x25 | 3,61 | 4,60 | CR0601830 | --- |
| Aluminium | Enamel | 1200x900 | 1330x920x25 | 6,96 | 8,81 | CR0801830 | --- |
| Aluminium | Enamel | 1200x1200 | 1330x1260x25 | 9,16 | 11,62 | CR1701830 | --- |
| Aluminium | Enamel | 1500x1000 | 1650x1050x25 | 9,54 | 12,02 | CR0901830 | --- |
| Aluminium | Enamel | 1500x1200 | 1650x1260x25 | 11,36 | 14,33 | CR1001830 | --- |

RANGING TABLE:

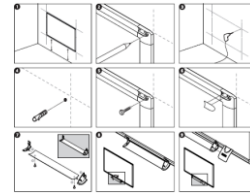
| Frame/Colour: | Surface/Colour: | Product Size: | Packed mm | N.W. kg | G.W. kg | Reference: | RRP: |
|---------------|-----------------|---------------|--------------|---------|---------|------------|------|
| Aluminium | Enamel | 1800x900 | 2000x940x25 | 10,30 | 12,93 | CR1101830 | --- |
| Aluminium | Enamel | 1800x1200 | 2000x1260x25 | 13,56 | 17,05 | CR1201830 | --- |
| Aluminium | Enamel | 2000x1000 | 2200x1050x25 | 12,62 | 15,82 | CR1301830 | --- |
| Aluminium | Enamel | 2000x1200 | 2200x1260x25 | 13,20 | 16,40 | CR1401830 | --- |
| Aluminium | Enamel | 2400x1200 | 2590x1260x25 | 17,96 | 22,47 | CR1501830 | --- |
| Aluminium | Lacquered steel | 600x450 | 720x470x22 | 1,55 | 2,10 | MA0207830 | --- |
| Aluminium | Lacquered steel | 900x600 | 1030x620x25 | 2,93 | 3,91 | MA0307830 | --- |
| Aluminium | Lacquered steel | 1200x900 | 1330x920x25 | 5,59 | 7,44 | MA0507830 | --- |
| Aluminium | Lacquered steel | 1200x1200 | 1330x1260x25 | 7,33 | 9,79 | MA3807830 | --- |
| Aluminium | Lacquered steel | 1500x1000 | 1650x1050x25 | 7,64 | 10,12 | MA1507830 | --- |
| Aluminium | Lacquered steel | 1500x1200 | 1650x1260x25 | 9,07 | 12,05 | MA1207830 | --- |
| Aluminium | Lacquered steel | 1800x900 | 2000x940x25 | 8,25 | 10,87 | MA0707830 | --- |
| Aluminium | Lacquered steel | 1800x1200 | 2000x1260x25 | 10,82 | 14,30 | MA2707830 | --- |
| Aluminium | Lacquered steel | 2000x1000 | 2200x1050x25 | 10,08 | 13,28 | MA2207830 | --- |
| Aluminium | Lacquered steel | 2000x1200 | 2200x1260x25 | 11,00 | 14,30 | MA2807830 | --- |
| Aluminium | Lacquered steel | 2400x1200 | 2590x1260x25 | 14,31 | 18,82 | MA2107830 | --- |
| Aluminium | Melamine | 600x450 | 720x470x22 | 1,93 | 2,48 | MA0212830 | --- |
| Aluminium | Melamine | 900x600 | 1030x620x25 | 3,68 | 4,67 | MA0312830 | --- |
| Aluminium | Melamine | 1200x900 | 1330x920x25 | 7,10 | 8,95 | MA0512830 | --- |
| Aluminium | Melamine | 1200x1200 | 1330x1260x25 | 9,35 | 11,81 | MA3812830 | --- |
| Aluminium | Melamine | 1500x1000 | 1650x1050x25 | 9,74 | 12,22 | MA1512830 | --- |
| Aluminium | Melamine | 1500x1200 | 1650x1260x25 | 11,59 | 14,57 | MA1212830 | --- |
| Aluminium | Melamine | 1800x900 | 2000x940x25 | 10,51 | 13,14 | MA0712830 | --- |
| Aluminium | Melamine | 1800x1200 | 2000x1260x25 | 13,84 | 17,33 | MA2712830 | --- |
| Aluminium | Melamine | 2000x1000 | 2200x1050x25 | 12,88 | 16,08 | MA2212830 | --- |
| Aluminium | Melamine | 2000x1200 | 2200x1260x25 | 13,40 | 16,90 | MA2812830 | --- |
| Aluminium | Melamine | 2400x1200 | 2590x1260x25 | 18,34 | 22,85 | MA2112830 | --- |
| Aluminium | Enamel | 600x450 | 720x470x22 | 1,89 | 2,45 | CR0403830 | --- |
| Aluminium | Enamel | 900x600 | 1030x620x25 | 3,61 | 4,60 | CR0603830 | --- |
| Aluminium | Enamel | 1200x900 | 1330x920x25 | 6,96 | 8,81 | CR0803830 | --- |
| Aluminium | Enamel | 1200x1200 | 1330x1260x25 | 9,16 | 11,62 | CR1703830 | --- |
| Aluminium | Enamel | 1500x1000 | 1650x1050x25 | 9,54 | 12,02 | CR0903830 | --- |
| Aluminium | Enamel | 1500x1200 | 1650x1260x25 | 11,36 | 14,33 | CR1003830 | --- |
| Aluminium | Enamel | 1800x900 | 2000x940x25 | 10,30 | 12,93 | CR1103830 | --- |
| Aluminium | Enamel | 1800x1200 | 2000x1260x25 | 13,56 | 17,05 | CR1203830 | --- |
| Aluminium | Enamel | 2000x1000 | 2200x1050x25 | 12,62 | 15,82 | CR1303830 | --- |
| Aluminium | Enamel | 2000x1200 | 2200x1260x25 | 13,20 | 16,40 | CR1403830 | --- |
| Aluminium | Enamel | 2400x1200 | 2590x1260x25 | 17,96 | 22,47 | CR1503830 | --- |
| Aluminium | Melamine | 600x450 | 720x470x22 | 1,93 | 2,48 | MA0221830 | --- |
| Aluminium | Melamine | 900x600 | 1030x620x25 | 3,68 | 4,67 | MA0321830 | --- |
| Aluminium | Melamine | 1200x900 | 1330x920x25 | 7,10 | 8,95 | MA0521830 | --- |
| Aluminium | Melamine | 1200x1200 | 1330x1260x25 | 9,35 | 11,81 | MA3821830 | --- |
| Aluminium | Melamine | 1500x1000 | 1650x1050x25 | 9,74 | 12,22 | MA1521830 | --- |
| Aluminium | Melamine | 1500x1200 | 1650x1260x25 | 11,59 | 14,57 | MA1221830 | --- |

RANGING TABLE:

| Frame/Colour: | Surface/Colour: | Product Size: | Packed mm | N.W. kg | G.W. kg | Reference: | RRP: |
|---------------|-----------------|---------------|--------------|---------|---------|------------|------|
| Aluminium | Melamine | 1800x900 | 2000x940x25 | 10,51 | 13,14 | MA0721830 | --- |
| Aluminium | Melamine | 1800x1200 | 2000x1260x25 | 13,84 | 17,33 | MA2721830 | --- |
| Aluminium | Melamine | 2000x1000 | 2200x1050x25 | 12,88 | 16,08 | MA2221830 | --- |
| Aluminium | Melamine | 2000x1200 | 2200x1260x25 | 13,40 | 16,90 | MA2821830 | --- |
| Aluminium | Melamine | 2400x1200 | 2590x1260x25 | 18,34 | 22,85 | MA2121830 | --- |

TECHNICAL DETAILS**COMPOSITION:**

- Anodized aluminium frame
- White magnetic or dry erase surface
- Wooden based core
- melamine surface: 5 year warranty
- lacquered steel surface: 10 year warranty
- enamel surface: 25 year warranty

ASSEMBLY OVERVIEW:**CERTIFICATION AND LEGISLATION:**

n/a

ILLUSTRATION:

n/a

SUGGESTED ADVERT:**New Generation Maya Whiteboard - Essential Series****Innovative solution with sliding pen tray**

- Essential Topaz Series:
 - Good value for money for frequent use
- Unique repositionable sliding pen tray
- Smart anodized aluminium frame with contrasting profiles
- Available in three choices of surface:
 - Melamine
 - Lacquered steel
 - Enamel
- Wall fixings supplied
- Gridded solution also available in melamine or enamel surfaces, improving drawing and writing

**WITHIN FAMILY:**

- Maya Whiteboard
- Eclipse Whiteboard
- Maya Trio Whiteboard

QR CODE:

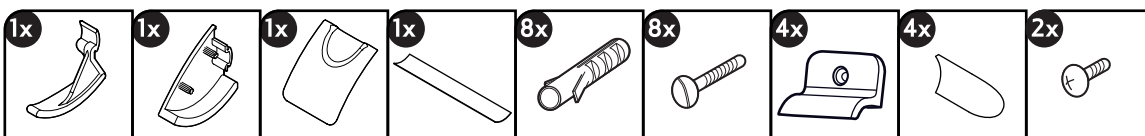
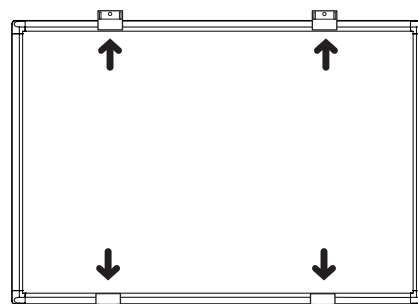
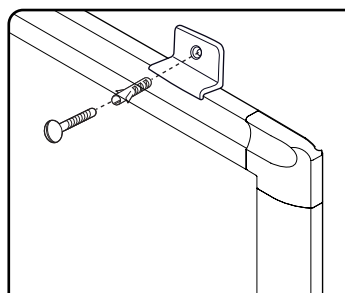
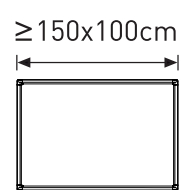
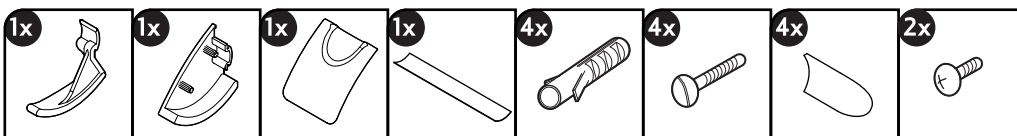
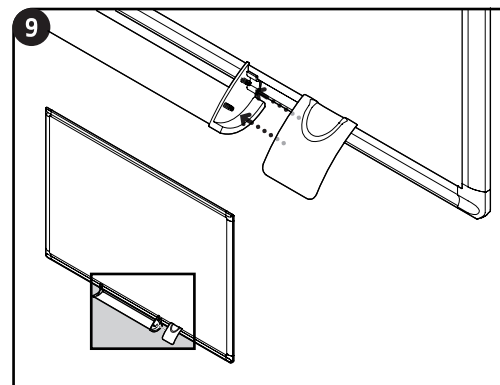
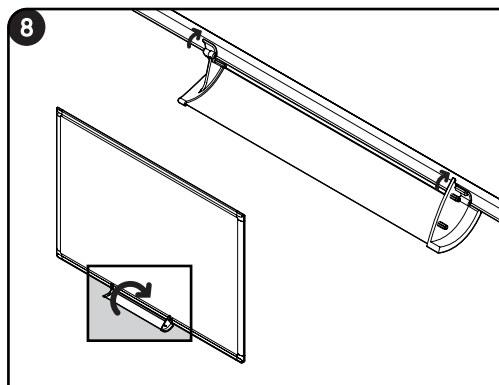
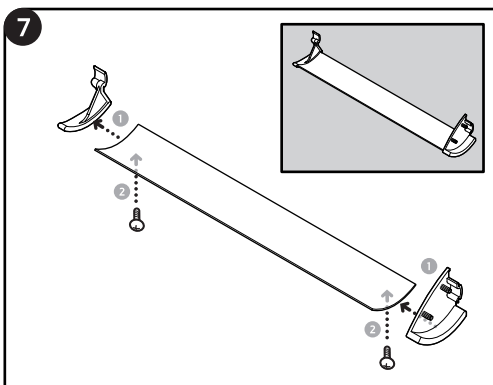
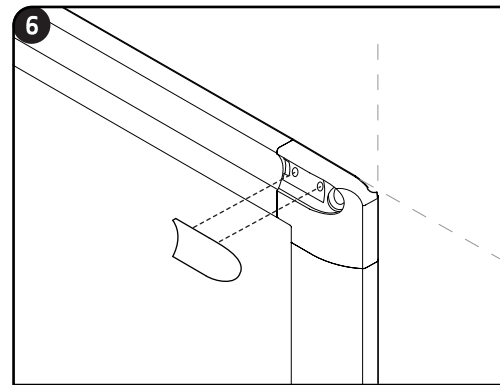
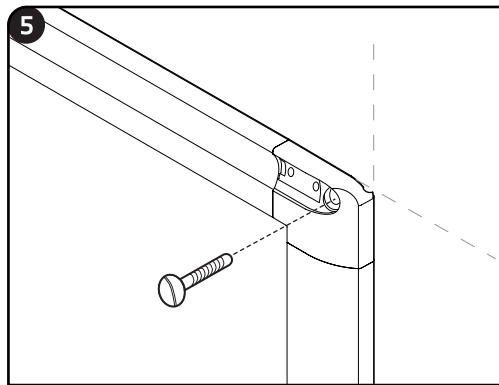
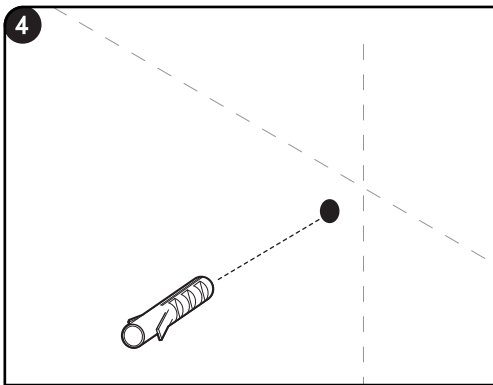
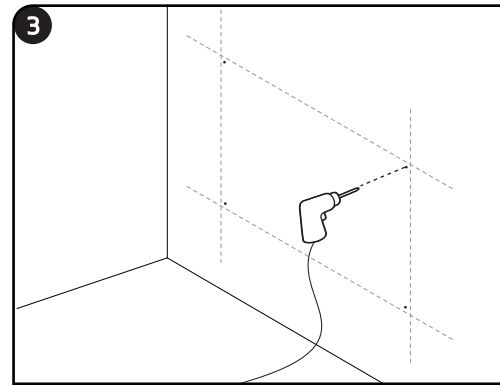
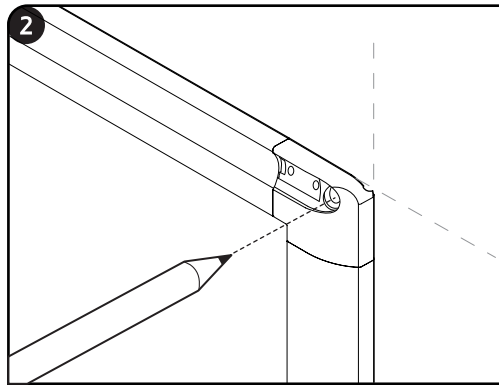
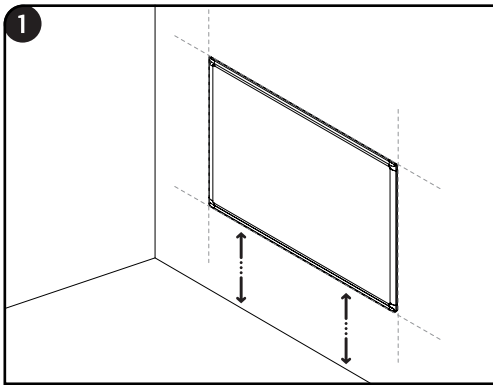
Author: Ana Oliveira

Approval:

Revision: 02
Date: 12-08-2015

MAYA NEWGEN DRYERASE BOARD

INSTRUCTIONS • INSTRUCTIES • ISTRUZIONI • ANLEITUNG • INSTRUCCIONES • INSTRUÇÕES



38029443.1