

PRODUCT SHEET

Lockable Notice Board SL B1*

LOCKABLE NOTICE BOARDS > INDOOR MAGNETIC



*Fire rated version without colour coating and print option

Lockable Notice Board SL

Lockable indoor notice board with sliding, toughened glass doors. Perfect for the display of information within corridors or areas where a hinged door may pose a safety hazard. Special coated steel back wall for use with marker pens and magnets.

Schaukasten SL Schiebetür

Schiebetür-Schaukasten für den Innenbereich. Besonders geeignet für den Aushang von Informationen in Gängen oder beengten Räumen. Rückwand aus speziell beschichtetem Stahlblech. Zwei Schiebetüren, abschließbar.



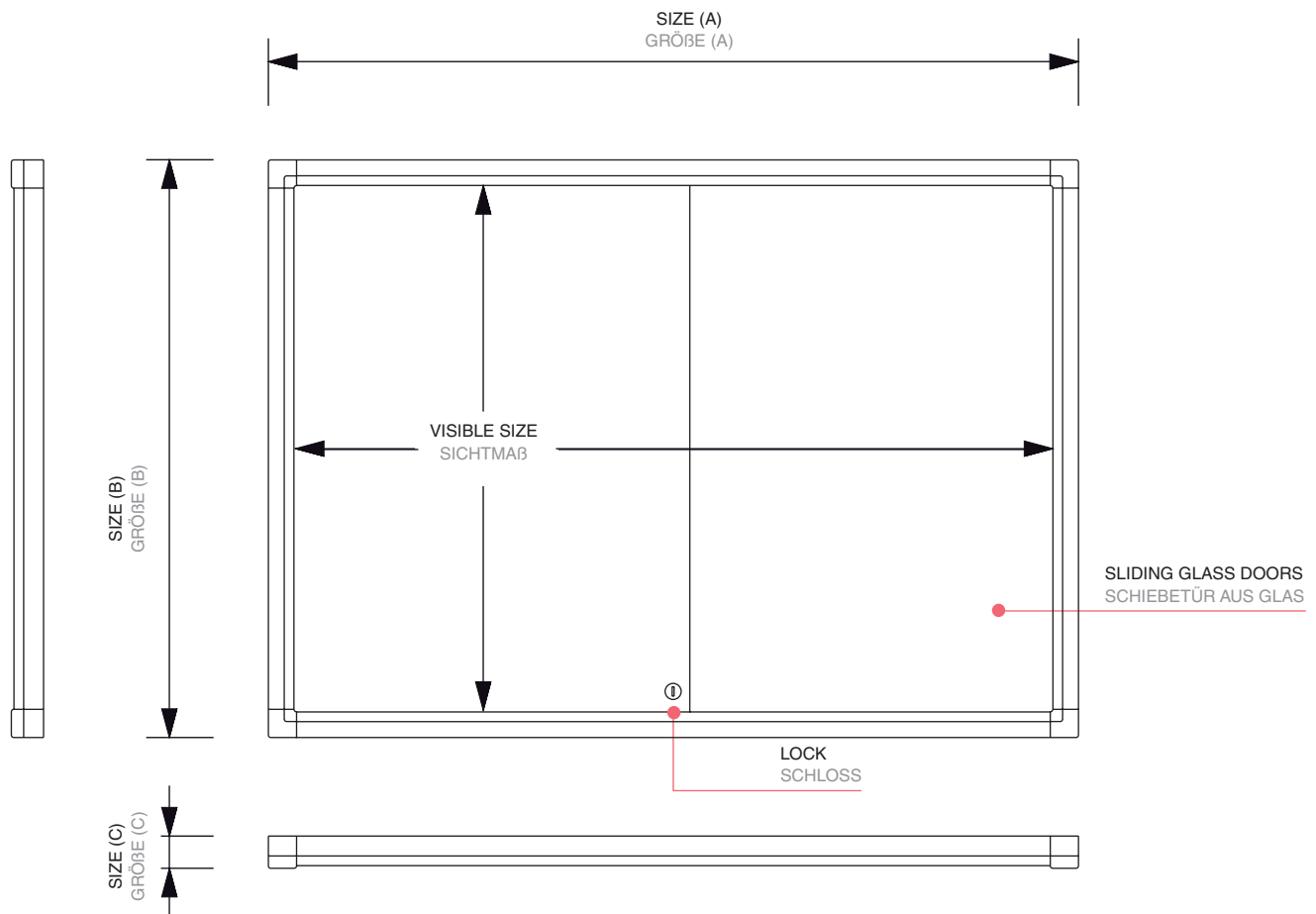
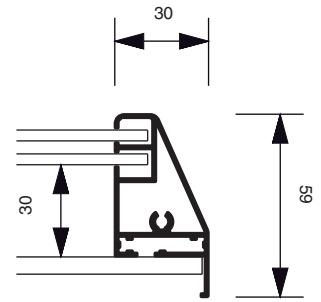
Studio T S.r.l. - Via dei Mestieri, 9/11 - Z.I. Monaldina - 48026 Godo di Russi (RA)
Tel. +39 0544 419000 - www.studiot.it - www.teknolinesystem.com



PRODUCT SHEET

Lockable Notice Board SL B1*

LOCKABLE NOTICE BOARDS > INDOOR MAGNETIC



ACCESSORIES ZUBEHÖR



MARKER PENS
BOARDMARKER



STARTERKIT
STARTPACKUNG



MAGNETS
MAGNETE



ERASER
TAFELSCHWAMM



SPRAY CLEANER
REINIGER



Studio T S.r.l. - Via dei Mestieri, 9/11 - Z.I. Monaldina - 48026 Godo di Russi (RA)
Tel. +39 0544 419000 - www.studiot.it - www.teknolinesystem.com



PRODUCT SHEET

Lockable Notice Board SL B1*

LOCKABLE NOTICE BOARDS > INDOOR MAGNETIC

ARTICLE CODE	EAN / GTIN	CAPACITY	LOCKS	VISIBLE SIZE	SIZE (A x B x C)	WEIGHT NETTO
ARTIKELNUMMER	EAN / GTIN	KAPAZITÄT	SCHLÖSSER	SICHTMAß	GRÖßE (A x B x C)	NETTO GEWICHT
SCSL6xA4	8595578316278	3 x 2 A4	1	660 x 615 mm	720 x 675 x 59 mm	8,74 kg
SCSL8xA4	8595578316285	4 x 2 A4	1	880 x 615 mm	940 x 675 x 59 mm	11,04 kg
SCSL9xA4	8595578316292	3 x 3 A4	1	660 x 922 mm	720 x 982 x 59 mm	12,10 kg
SCSL10xA4	8595578316308	5 x 2 A4	1	1100 x 615 mm	1160 x 675 x 59 mm	13,35 kg
SCSL12xA4	8595578316315	4 x 3 A4	1	880 x 922 mm	940 x 982 x 59 mm	15,48 kg
SCSL15xA4	8595578316322	5 x 3 A4	1	1100 x 922 mm	1160 x 982 x 59 mm	18,71 kg
SCSL18xA4	8595578316339	6 x 3 A4	1	1320 x 922 mm	1380 x 982 x 59 mm	21,97 kg
SCSL21xA4	8595578316346	7 x 3 A4	1	1540 x 922 mm	1600 x 982 x 59 mm	25,20 kg
SCSL24xA4	8595578316353	8 x 3 A4	1	1755 x 922 mm	1815 x 982 x 59 mm	28,36 kg

ARTICLE CODE	PACKING SIZE	PACKING WEIGHT	PCS / PALETTE	WEIGHT OF PALETTE	VOLUME WEIGHT	BELT SIZE	SHIPPING
ARTIKELNUMMER	PACKUNGS-GRÖßE	PACKUNGS-GEWICHT	STÜCK / PALETTE	PALETTE-GEWICHT	VOLUMEN-GEWICHT	GÜRTEL	VERSANDART
SCSL6xA4	775 x 745 x 110 mm	10,60 kg	24	275 kg	12,70 kg	2485 mm	TOF
SCSL8xA4	995 x 750 x 110 mm	12,40 kg	16	229 kg	16,42 kg	2715 mm	TOF
SCSL9xA4	800 x 1045 x 110 mm	13,40 kg	20	288 kg	18,39 kg	2865 mm	TOF
SCSL10xA4	1230 x 740 x 110 mm	14,80 kg	12	198 kg	20,02 kg	2930 mm	TOF
SCSL12xA4	1000 x 1006 x 110 mm	17,40 kg	16	299 kg	22,13 kg	3226 mm	TOF
SCSL15xA4	1230 x 1007 x 110 mm	20,80 kg	8	187 kg	27,25 kg	3464 mm	Rieck
SCSL18xA4	1460 x 1007 x 110 mm	24,40 kg	8	216 kg	32,34 kg	3694 mm	Rieck
SCSL21xA4	1665 x 1006 x 110 mm	28,20 kg	8	246 kg	36,85 kg	3897 mm	Rieck
SCSL24xA4	1885 x 1006 x 110 mm	31,80 kg	8	275 kg	41,72 kg	4117 mm	Rieck



Studio T S.r.l. - Via dei Mestieri, 9/11 - Z.I. Monaldina - 48026 Godo di Russi (RA)
Tel. +39 0544 419000 - www.studiot.it - www.teknolinesystem.com

